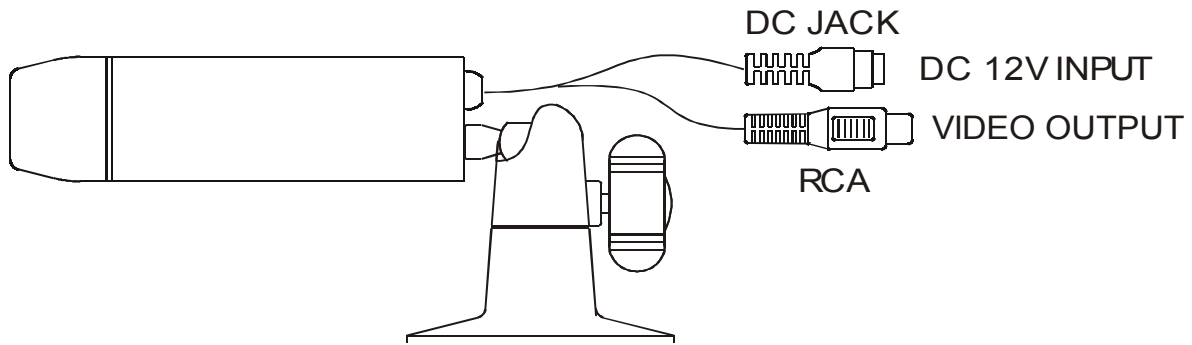


High Resolution CM25-H Finger Style Water Proof Color CCD Camera User Manual



* Caution for Installation

1. PLEASE USE ONLY 12V REGULATED POWER SUPPLIES!

2. Avoid places where there is direct sunlight.
3. Do not directly touch the CCD element. If necessary, use a soft cloth moistened with alcohol to wipe off the dust.
4. Avoid places where temperatures exceed 50 °C or more.
5. Avoid places where there are frequent vibrations or shocks.
6. When any abnormalities occur, make sure to unplug the unit and contact your local dealer

* Specification

ITEMS	CM25-H	CM25-H-W (White)
TV SYSTEM	NTSC	NTSC
PICK UP DEVICE	1/3" SONY COLOR CCD IMAGE SENSOR	
PICTURE ELEMENTS	768 H x 494 V	
HORIZONTAL RESOLUTION	480 Lines	
MINI ILLUMINATION	0.1 Lux	
HORIZ. SYNC.FREQUENCY	15.734 KHz -	15.734 KHz
VERTICAL FREQUENCY	60 Hz	60 Hz
CLOCK FREQUENCY	19.0699 MHz	19.0699 MHz
SCANNING SYSTEM	2:1 INTERLACE	
WHITE BALANCE	Auto Trace Mode	
SIGNAL TO NOISE RATIO	48 dB (AGC Off) Over	
ELECTRONIC SHUTTER	1/60~1/100,000 sec.	
LENS	3.6 mm / F 2.0	
VIDEO OUTPUT	1 V p-p, 75 Ohms	
GAMMA. CORRECTION	0.45	
DIMENSIONS D×L ?	F 26×89	
WEIGHT g.	170	
POWER SUPPLY	12VDC (+/-0.5)	
POWER CONSUMPTION	150mA	
STORAGE TEMPERATURE	- 30 to +60?	
OPERATING TEMPERATURE	- 20 to +55?	

Remark:

This camera can only be operated with a **REGULATED 12V DC** Power Supply.
Non-regulated adapters may damage the camera, voiding its warranty.