



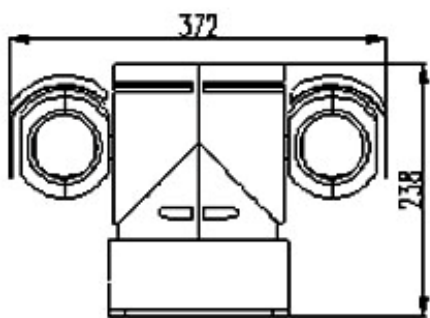
ASH56NV-IR Outdoor Infrared High Speed PTZ Nigh & Day Camera

Image Sensor:	1/4" CCD
Active Pixels:	752H x 582V
Synchronization:	Internal
Video Output:	VBS 1.0Vp-p /75 ohms
White Balance:	Auto/Manual
Scanning Frequency:	15625Khz (H) x 60Hz (V)
Resolution:	More than 480 Lines
S/N Ratio:	More than 50dB
Electronic Shutter:	1/3~1/10000s
Lux:	0 Lux (with LEDs on)
Lens Focal Length:	f=3.5~9.1mm 26x
Zoom:	312X (26X Optical 12X Digital)
Iris/Zoom:	Auto / Manual
Pan Preset Speed:	100°/s
Tilt Preset Speed:	60°/s
Tilt Speed:	0~50°/s
Pan Speed:	0~70°/s
Pan Rotation:	360°
Tilt Rotation:	90° (180° Auto Overturn)
Control:	Multiprotocol , RS485 Baudrate from 2400~19200 Bps

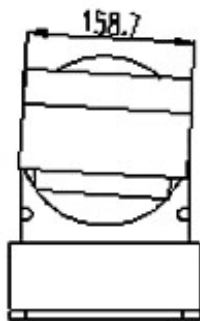
Preset:	128
Patrol Function:	6 Patrol Patterns
IR Project Distance:	100 m
Relative Humidity:	10-90%
Power:	AC24V
Camera + PTZ Consumption:	18W (no IR and PTZ movement)
Camera ModuleConsumption:	5W
PTZ on movement Consumption:	24~30W
Heater Consumption:	4W
Wiper Consumption:	3W
Shock:	>4G
Weight:	6KG
Operation Temperature:	-35°C~55°C
Waterproof Class:	IP66

* Pictures and specifications are subject to change without prior notice

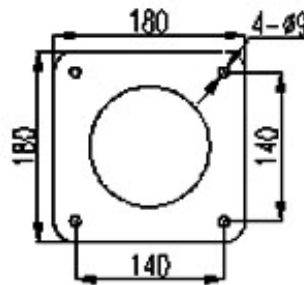
ASH56NVIR



14.65" x 9.37"



6.25"



7.08" - 5.51"

Weight 6Kg 13.2lbs